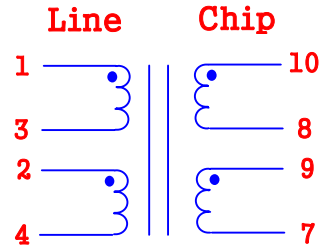
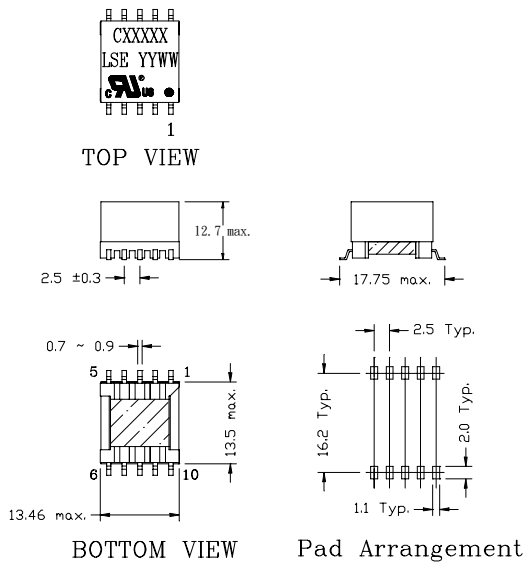


* Mechanicals : [EP13-1]

* Schematic



- * Packaging : Reel / Tape
- * Weight : 5.9 grams / Pc

* Application

Application	IC Number	Remark
CPE	AP7,AR7,AU7	ANNEX A (Router)

※ Meet with supplementary insulation requirements for primary circuit at a working Voltage of 250Vrms as defined by UL60950

* Electrical Specification

D.C. Resistance @20°C (MAX.)	OCL @10 KHz, 0.1V	Turn Ratio Chip : Line	Isolation Voltage (Vrms)
(1-2):1.22 Ohms (3-4): 1.22 Ohms (9-7): 320 mOhms (10-8): 320 mOhms	(1-4):1.5 mH±6%	1 : 2	1500

※ Operating Temperature : -40°C to +85°C

※Specifications subject to change without notice.